

TECHNICAL DATASHEET

CLAMBELL®
FIRE ALARM BELLS



Manufactured by VimpeX in the UK, the ClamBell® EN54-3 approved fire bell incorporates traditional and innovative design.

The hinged design of ClamBell® means installers benefit from reduced installation time. Once fitted to the wall and wired to the circuit, ClamBell® clicks shut.

Low power consumption and good sonorous tone result from use of an aluminium gong which also significantly reduces weight.

Three mounting versions are available - shallow base, deep base and purpose designed weatherproof option.

APPROVALS



FEATURES

- Permanently fitted gong
- Specifically designed weatherproof back box
- Mounting options for European, Asian and US style installations
- Slick and modern looking
- Fully customised pad printed branding
- Strobell EN-23 VAD option which integrates ClamBell and VAD for unique combined unit will be available soon

STROBELL VARIANT AVAILABLE SOON



*Please contact us for more information on the StroBell product.



PART NUMBERS - BELLS

ClamBell 24 V 6" Fire Alarm Bell

- CBE6-XS-024-EN ClamBell 24 V 6" Fire Alarm Bell - Shallow Base*¹
- CBE6-XD-024-EN ClamBell 24 V 6" Fire Alarm Bell - Deep Base*¹
- CBE6-XW-024-EN ClamBell 24 V 6" Fire Alarm Bell - Weatherproof*¹

ClamBell 12 V 6" Fire Alarm Bell

- CBE6-XS-012-EN ClamBell 12 V 6" Fire Alarm Bell - Shallow Base
- CBE6-XA-012-EN ClamBell 12 V 6" Fire Alarm Bell - Shallow Base/US Install Plate
- CBE6-XD-012-EN ClamBell 12 V 6" Fire Alarm Bell - Deep Base
- CBE6-XW-012-EN ClamBell 12 V 6" Fire Alarm Bell - Weatherproof

ClamBell 230 V 6" Fire Alarm Bell

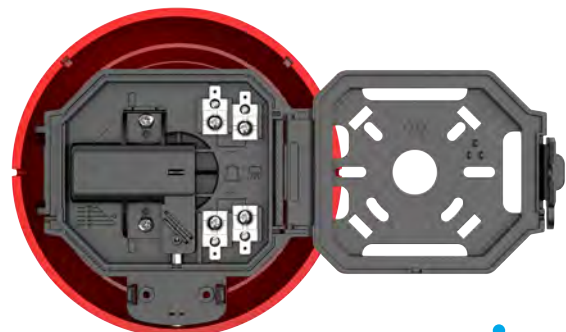
- CBE6-XD-230-EN ClamBell 230 V 6" Fire Alarm Bell - Deep Base
- CBE6-XW-230-EN ClamBell 230 V 6" Fire Alarm Bell - Weatherproof

ClamBell 120 V 6" Fire Alarm Bell

- CBE6-XD-120-EN ClamBell 110 V 6" Fire Alarm Bell - Deep Base
- CBE6-XW-120-EN ClamBell 110 V 6" Fire Alarm Bell - Weatherproof

*X= Colour. Standard colours are R=Red, White=White and G=Grey

*¹ Tested and Approved by LPCB



TECHNICAL DATASHEET

CLAMBELL[®]
FIRE ALARM BELLS



SPECIFICATION

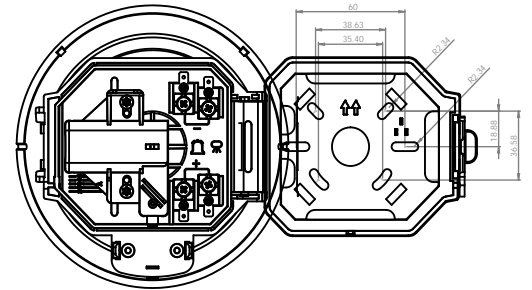
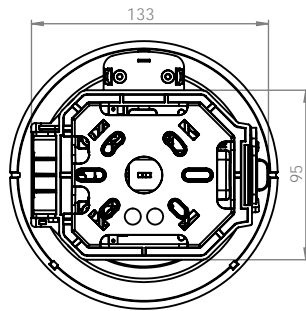
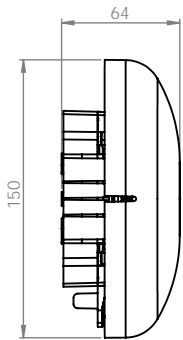
	6" (150 mm) Internal - 24 V dc			6" (150 mm) Internal - 12 V dc			6" (150 mm) Internal - 230 V ac		6" (150 mm) Internal - 120 V ac	
	Shallow Base	Deep Base	W/P Base	Shallow Base	Deep Base	W/P Base	Deep Base	W/P Base	Deep Base	W/P Base
Rated Voltage (V):	20.4 - 27.6			9.6 - 13.2			207 - 253		114 - 126	
Rated Current @24 V (mA):	12			12			TBC			
Starting Voltage (V):	11			5.5			TBC			
Sound Output dB(A) @1 m (max):	96.0			TBC			96.0			
Temperature Range (C°):	-10 - +50	-25 - + 70		-10 - +50	-25 - + 70		-25 - + 70		-25 - + 70	
Humidity Range (%):	≤96 %									
Weight (g):	378 g	497 g	499 g	378 g	497 g	499 g	497 g	499 g	497 g	499 g
Gong Colour:	Red/White/Grey									
Gong Construction:	Aluminium									
IP Rating:	IP21C	IP33C	IP56 Cat2*2	IP21C	IP33C	IP56 Cat2*2	IP33C	IP56 Cat2*2	IP33C	IP56 Cat2*2

*2 Weatherproofing not approved by LPCB, tested by Intertek

***Note: Other gong colours available subject to minimum order quantity. Please contact us for a full list of colours. Customers must specify R= Red, W= White or G= Grey when placing an order.**

INSTALLATION

Shallow Base



Dimensions (mm)

Deep Base

